

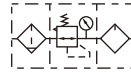
Preparation unit——GA Series

GAC Series F.R.L. combination

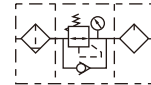


Symbol

No reflux valve is attached



Reflux valve is attached



Product feature

1. Oil dripping adopts gap seal structure, which makes the adjustment of oil supply more reliable.
2. Oil feed ring can only make one full turn. The quantity of oil supply, basically taking on linear distribution. The quantity of oil supply can be generally calculated according to the position of graduation ring.
3. Filling of oil while the lubricator is under pressure is made possible.
4. Special drip nozzle structure will produce negative pressure in oil dripping outlet and the mist flow is minimal.
5. Quick and reliable mounting clamps makes it convenient to install and use.
6. The performance of pressure adjustment is reliable with high precision.
7. The efficiency of eliminating moisture and solid grain is high.
8. Two drain types are available: manual drain+semi-auto drain and automatic drain.
9. Three bowl materials are available: PC, Metal and Nylon.

Specification

Model	GAC200-06	GAC200-08	GAC300-08	GAC300-10	GAC300-15	GAC400-10	GAC400-15	GAC500-20	GAC600-20	GAC600-25	
Fluid	Air										
Port size [Note1]	1/8"	1/4"	1/4"	3/8"	1/2"	3/8"	1/2"	3/4"	3/4"	1"	
Filtering grade	40 μm or 5 μm										
Pressure range	0.15~0.9MPa(20~130psi)										
Max. pressure	1.0MPa(145psi)										
Proof pressure	1.5MPa(215psi)										
Temperature range	-5~70°C(Unfreeze)										
Capacity of drain bowl	25CC		60CC		100CC		108CC	205CC			
Capacity of oil bowl	36CC		98CC		185CC		225CC	410CC			
Recommended lubricant	ISO VG 32 or equivalent										
Weight	750g		1300g		2390g		2460g	4600g			
Constitute	Filter	GAF200-06	GAF200-08	GAF300-08	GAF300-10	GAF300-15	GAF400-10	GAF400-15	GAF500-20	GAF600-20	GAF600-25
	Regulator	GAR200-06	GAR200-08	GAR300-08	GAR300-10	GAR300-15	GAR400-10	GAR400-15	GAR500-20	GAR600-20	GAR600-25
	Lubricator	GAL200-06	GAL200-08	GAL300-08	GAL300-10	GAL300-15	GAL400-10	GAL400-15	GAL500-20	GAL600-20	GAL600-25

[Note1] G thread is available.

Ordering code

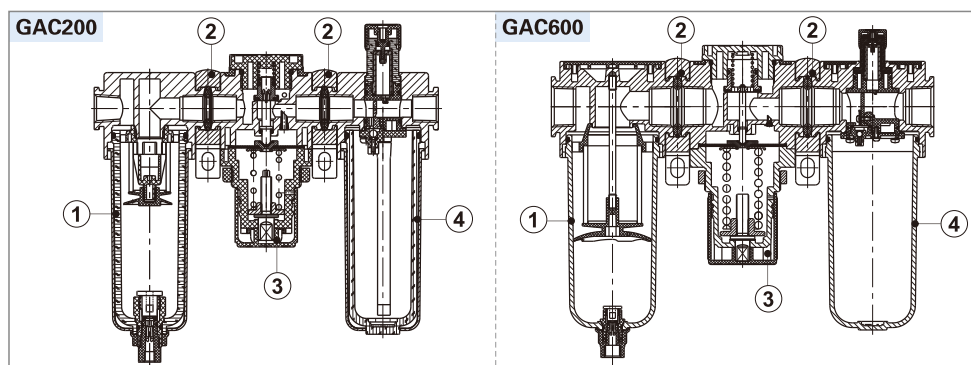
GAC300 □ 10 □ S □ W G K

① ② ③ ④ ⑤ ⑥ ⑦ ⑧ ⑨

① Model	② Bowl material	③ Port size	④ Drain type	⑤ Type code	⑥ Pressure gauge	⑦ Filtering grade	⑧ Thread type	⑨ Code of reflux valve
GAC200:GA200 Series F.R.L unit	Blank: PC bowl C: Metal bowl	06: 1/8" 08: 1/4"	Blank: Semi-auto drain +Manual drain A: Automatic drain	S: Standard	Blank: Circular N: No gauge [Note2]	Blank: 40μm W: 5μm	G: G Thread (bar/MPa)	Blank: No reverse flow valve is attached K: Reverse flow valve is attached [Note2]
GAC300:GA300 Series F.R.L unit		10: 3/8" 15: 1/2"		L: Lower pressure [Note1]				
GAC400:GA400 Series F.R.L unit	N: Nylon bowl	10: 3/8" 15: 1/2"						
GAC500:GA500 Series F.R.L unit		20: 3/4"						
GAC600:GA600 Series F.R.L unit	C: Metal bowl	20: 3/4" 25: 1"		S: Standard				

[Note1]The work pressure of lower pressure type is 0.15~0.4MPa(20~58psi) ; [Note2] Please refer to page 201 for details of sealing plate installation and reflux valve.

Inner structure



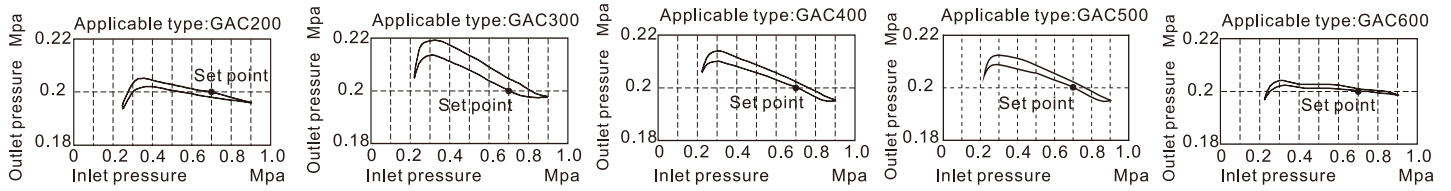
No.	Item	No.	Item
1	GA series filter	3	GA series regulator
2	Bracket	4	GA series lubricator

Preparation unit—GA Series

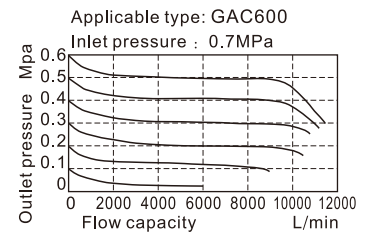
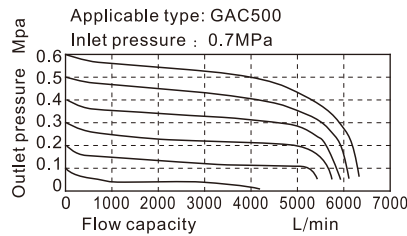
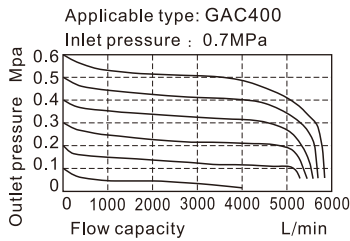
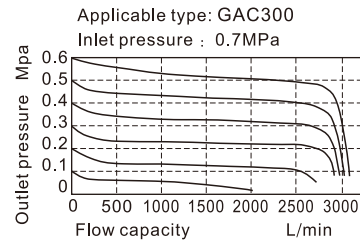
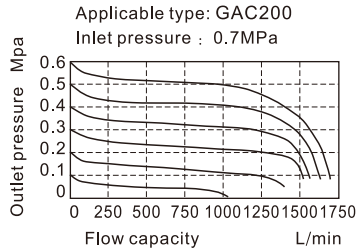


GAC Series F.R.L. combination

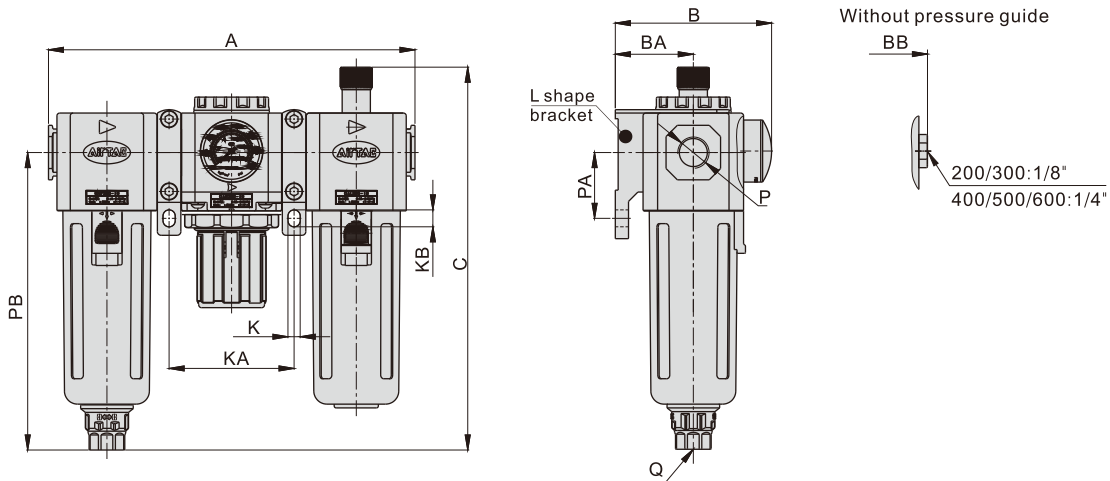
Pressure chart



Flow chart



Dimensions



Model/Item	A	B	BA	BB	C	K	KA	KB	P	PA	PB	Q
GAC200-06	163.5	69	30	55.5	160	5.5	55.5	8.5	1/8"	25	120	M5X0.8
GAC200-08	163.5	69	30	55.5	160	5.5	55.5	8.5	1/4"	25	120	M5X0.8
GAC300-08	195	83	41.5	71.5	203.5	6.5	66.5	9	1/4"	35	158	G1/4
GAC300-10	195	83	41.5	71.5	203.5	6.5	66.5	9	3/8"	35	158	G1/4
GAC300-15	195	83	41.5	71.5	203.5	6.5	66.5	9	1/2"	35	158	G1/4
GAC400-10	248	99	50	88	227	8.6	84	12	3/8"	40	177.5	G1/4
GAC400-15	248	99	50	88	227	8.6	84	12	1/2"	40	177.5	G1/4
GAC500-20	254	100	50	89	241	8.6	86	12	3/4"	40	191.5	G1/4
GAC600-20	312	128	70	117	267.5	11	106	16	3/4"	50	205	G1/4
GAC600-25	312	128	70	117	267.5	11	106	16	1"	50	205	G1/4

