

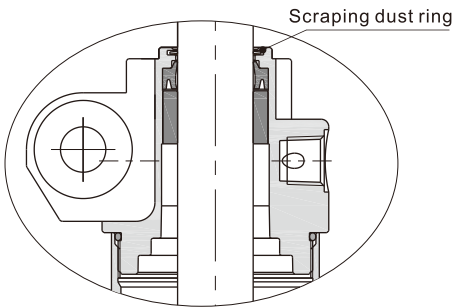


Clamping cylinder—MCK Series

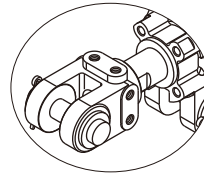
Compendium of MCK Series

Dustproof and welding slag out design

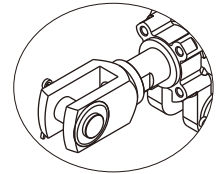
There is a scraping dust ring in front cover, and it is firm and durable that can avoid dust and splashed welding slag breaking cylinders. It is more reliable than dust helmet.



Y knuckle is available



Y: With M6 thread hole



YW: Without M6 thread hole

Two orifice models air available

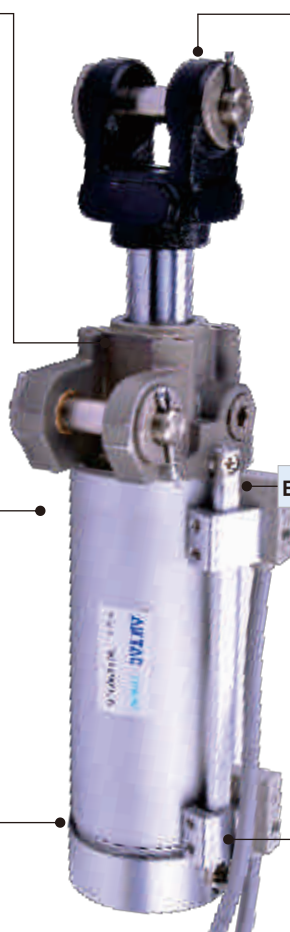
Buffer adjustment and speedlimit adjustment are built-in

Rolling packed structure

Back cover and barrel adopt riveted rolling packed structure to form a reliable connection.

With sensor switches fixed frame

Various types of sensor switches are available.

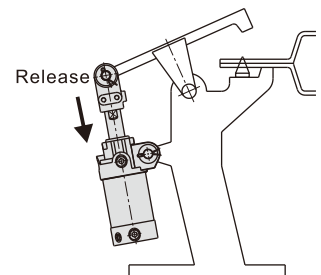
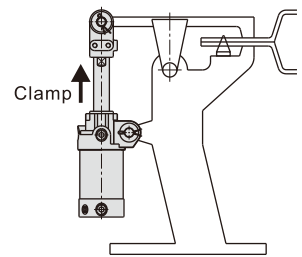


Theoretical clamping force

Unit: Newton(N)

Bore size	Rod size	Acting type		Operating pressure(MPa)							
				0.1	0.2	0.3	0.4	0.5	0.6	0.7	0.8
25	12	Double acting	Push side	49.1	98.2	147.3	196.4	245.5	294.6	343.7	392.8
			Pull side	37.8	75.6	113.4	151.2	189.0	226.8	264.6	302.4
32	12	Double acting	Push side	80.4	160.8	241.2	321.6	402.0	482.4	562.8	643.2
			Pull side	69.1	138.2	207.3	276.4	345.5	414.6	483.7	552.8
40	20	Double acting	Push side	125.6	251.2	376.8	502.4	628.0	753.6	879.2	1004.8
			Pull side	94.2	188.4	282.6	376.8	471.0	565.2	659.4	753.6
50	20	Double acting	Push side	196.3	392.6	588.9	785.2	981.5	1177.8	1374.1	1570.4
			Pull side	164.9	329.8	494.7	659.6	824.5	989.4	1154.3	1319.2
63	20	Double acting	Push side	311.7	623.4	935.1	1246.8	1558.5	1870.2	2181.9	2493.6
			Pull side	280.3	560.6	840.9	1121.2	1401.5	1681.8	1962.1	2242.4
80	25	Double acting	Push side	502.6	1005.2	1507.8	2010.4	2513.0	3015.6	3518.2	4020.8
			Pull side	453.6	907.2	1360.8	1814.4	2268.0	2721.6	3175.2	3628.8

Application examples



Installation and application



- In normal situation such as: edge packing, installation, jig test...and so on. Standard cylinder is suggested.
- In case of high-magnetic field generated by welding in the vicinity, anti-magnetic welding clamp cylinder shall be used and corresponding anti-magnetic sensor switch shall be matched.
- Before cylinder connecting, the dust must be eliminated to avoid it entering in the cylinder.
- The medium used by cylinder shall be filtered to 40 μm or below.
- Under high temperature environment, the cylinder of high-temperature resistance shall be selected. Anti-freezing measure shall be adopted under low temperature environment to prevent the water freezing in cylinder.
- If cylinder is not used for a long time, please advert the surface to get rusty. Inlet and outlet ports should be have anti-dust caps and also spread the oil to avoid getting rusty on piston rod.

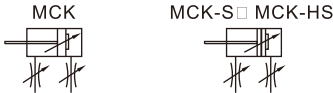


Clamping cylinder

MCK Series



Symbol



Stroke

Bore size(mm)	Standard stroke(mm)	Available stroke
25、32、40、50、63、80	50 75 100 125 150	150

Remark) Consult us for non-standard stroke.

Ordering code

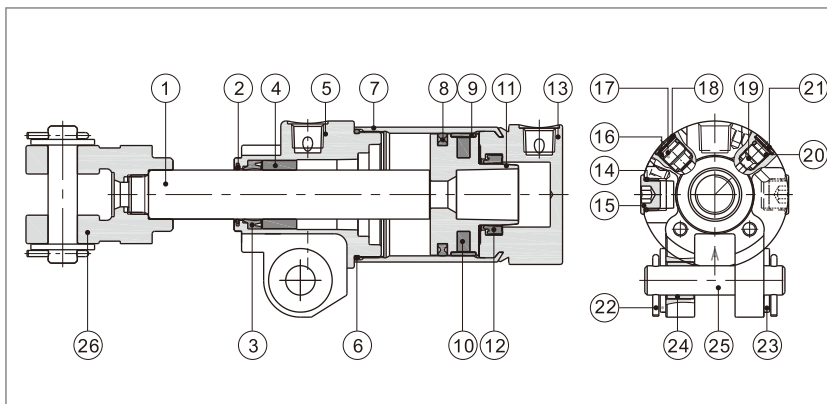
MCK A 50 × 75 S □ Y □

1 2 3 4 5 6 7 8

① Model	② Orifice model	③ Bore size	④ Stroke	⑤ Magnet	⑥ Mounting type	⑦ Mounting type	⑧ Thread type	
MCK: Clamping cylinder (Double acting)	A: Orifice model A	25	Refer to Stroke table for detail	Blank: Without magnet S: With normal magnet[Note 1]	E: One group air port in the front and back cover(No variable cushion) 	Blank: Without Y knuckle 	YW: With Y knuckle (No M6 thread hole) 	Blank: PT G: G
		32			Blank: Three groups air port in the front and back cover (Variable cushion for back and front cover) 	Blank: Without Y knuckle 		
	40	E: One group air port in the front and back cover(Variable cushion for back cover and front cover) 			Y: With Y knuckle (With M6 thread hole) 	YW: With Y knuckle (No M6 thread hole) 		
	50	E: One group air port in the front and back cover(Variable cushion for back cover) 						
	63							
	No this code	80						

[Note 1] In powerful magnetic field, sensor switch for high-magnet shall be matched. Please refer to Page 334 for option.

Inner structure and material of major parts



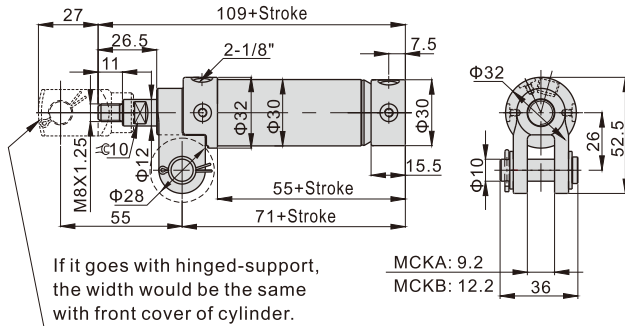
No.	Item	Material	No.	Item	Material
1	Piston rod	Carbon steel	15	Stop screw	S35C
2	Scraping dust ring	Stainless steel	16	O-ring	NBR
3	Spool packing	NBR	17	Cush controlled screw	Aluminum alloy
4	Sliding bushing	Aluminum alloy	18	Bead flange	Spring steel
5	Front cover	Aluminum alloy	19	Speed controlled screw	Aluminum alloy
6	O-ring	NBR	20	O-ring	NBR
7	Barrel	Aluminum alloy	21	Bead flange	Spring steel
8	Piston O-ring	NBR	22	Orifice Pin	Midl steel
9	Wear ring	Wear resistant material	23	Cover blade	SPCC
10	Magnet	Magnetism material	24	Sliding bushing	Wear resistant material
11	Piston	Aluminum alloy	25	Pin	S45C
12	Cushion O-ring	TPU	26	Y knuckle	Nodular cast iron
13	Back cover	Aluminum alloy			
14	O-ring	NBR			

Clamping cylinder

MCK Series

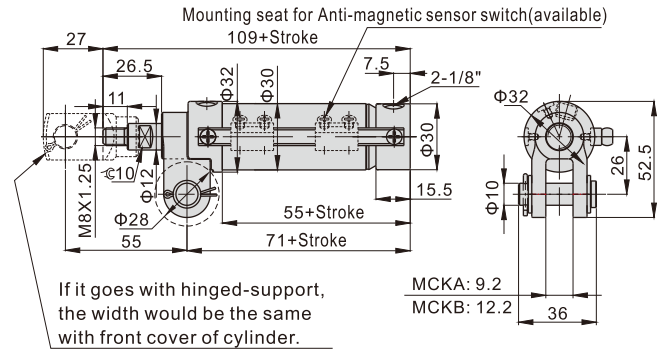
Dimensions

Φ25(Without magnet)



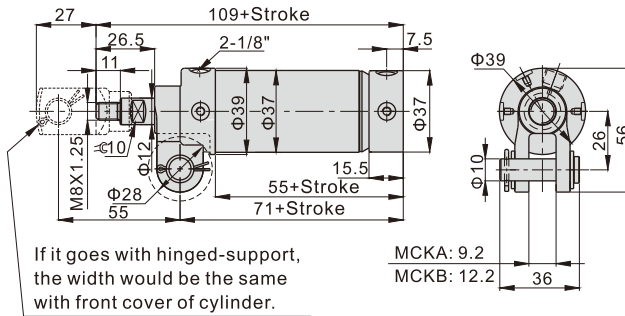
MCKA: 9.2
MCKB: 12.2

Φ25(With magnet)



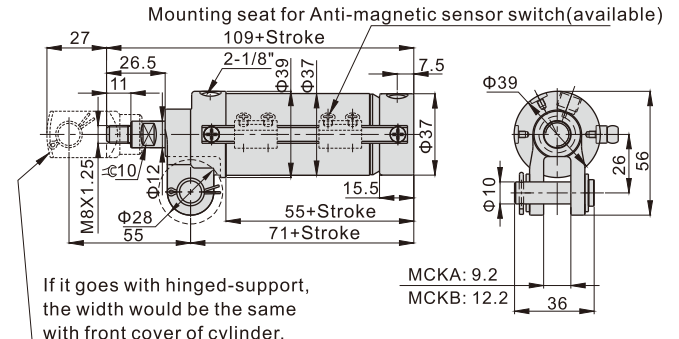
MCKA: 9.2
MCKB: 12.2

Φ32(Without magnet)



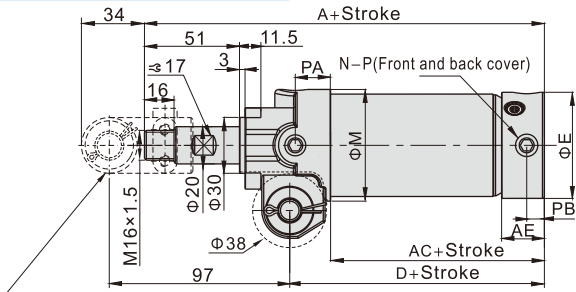
MCKA: 9.2
MCKB: 12.2

Φ32(With magnet)

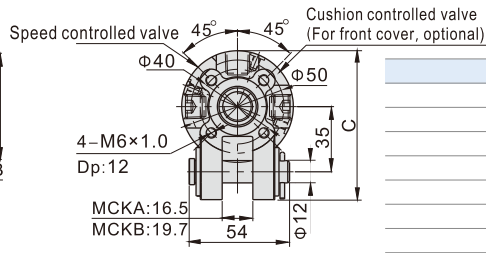


MCKA: 9.2
MCKB: 12.2

Φ40/50/63(Without magnet)

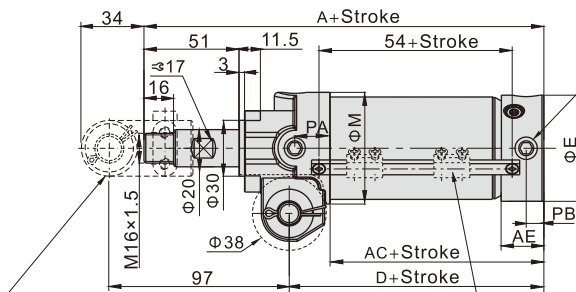


If it goes with hinged-support, the width would be the same with front cover of cylinder.

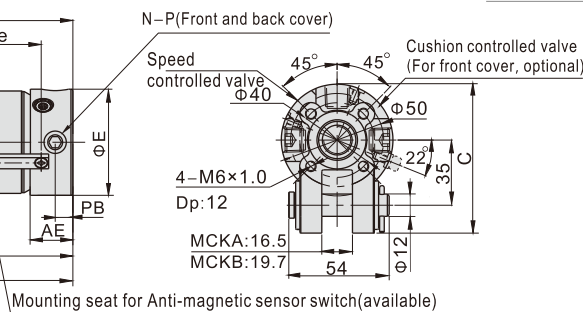


Item\Bore size	40	50	63	
A	162	165	167	
AC	59	65	67	
AE	20	22	23	
C	76	80	87	
D	84	87	89	
E	47	57	70	
M	52	60	74	
N (Number of hole)	Variable cushion for back and front cover	6	6	6
	Variable cushion for back cover	2	2	2
P(Inlet and out let port)			1/4"	
PA		20	19	19
PB		9	9.5	9.5

Φ40/50/63(With magnet)



If it goes with hinged-support, the width would be the same with front cover of cylinder.

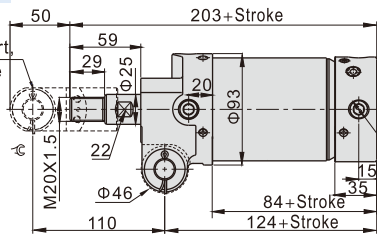


Clamping cylinder

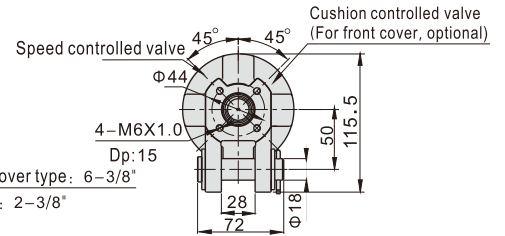
MCK Series

Φ80(Without magnet)

If it goes with hinged-support, the width would be the same with front cover of cylinder.

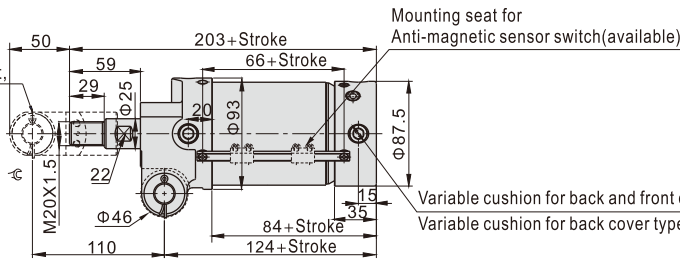


Variable cushion for back and front cover type: 6-3/8"
Variable cushion for back cover type: 2-3/8"

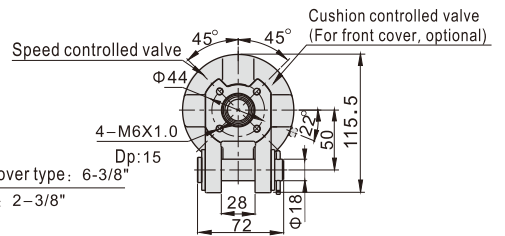


Φ80(With magnet)

If it goes with hinged-support, the width would be the same with front cover of cylinder.

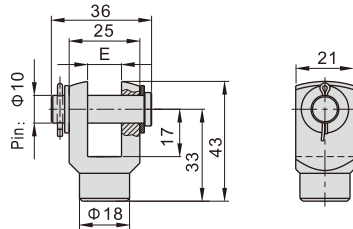


Variable cushion for back and front cover type: 6-3/8"
Variable cushion for back cover type: 2-3/8"



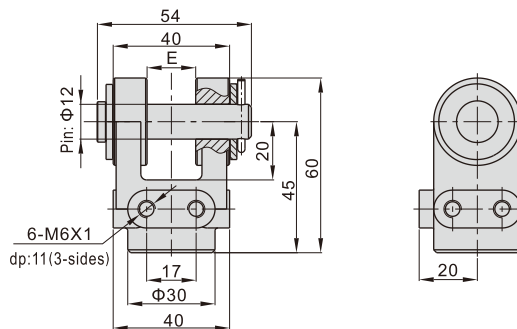
Specifications and ordering codes of Y knuckle

Φ25/32



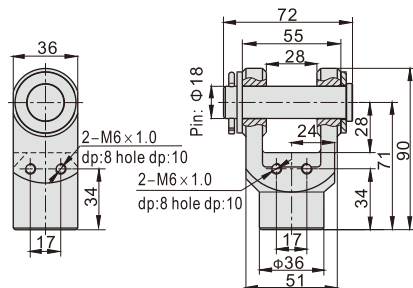
Model	Ordering code	Applicable bore size	E
MCKA	MCKA25-YW	25\32	9
MCKB	MCKB25-YW	25\32	12

Φ40/50/63



Model	Ordering code	Applicable bore size	E
MCKA	MCKA50-Y	40\50\63	16.5
MCKB	MCKB50-Y	40\50\63	19.5

Φ80



Model	Ordering code	Applicable bore size
MCK	MCK80-Y	80

Clamping cylinder

Sensor switch—DS1-69AM Series



Specification

Item\Type	DS1-69AM
Switch logic	Transistor without contact, normally opened type
Sensor type	Transistor, two-line, nonpolarity
Operating voltage (V)	10~30V/DC
Max. Switching current	100mA Max.
Switching Rating (W)	3W Max.
Anti-magnetic current	AC 17000A
Voltage drop	4.8V Max. @100mA DC
Leakage current	0.6mA Max. @30V DC
Min. working current	3mA Min.
Indicator	Stable range:Green LED ; Non-table range:Red LED
Cable	Φ5.3/0.5SQ × 2C × 3m/oil resistant, Flame retarded, flection/gravy PVC
Sensitivity	30~40 Gauss
Max. Frequency	8Hz
Temperature range	-10~70°C
Shock	50m/s ²
Vibration	9m/s ²
Protection	IP 67(EN60529)
Protection circuit	Transistor without contact, surge suppression
Fire retardant grade	UL94-V0

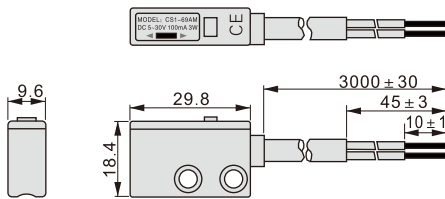
Feature

DS1-69AM series are anti-magnetic sensor switch, which are for AC magnetic environment.

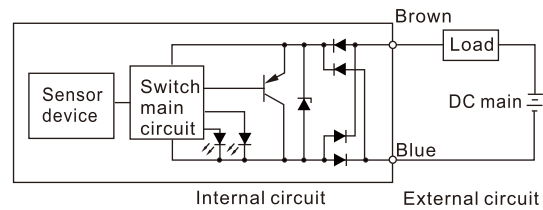
Ordering code

DS1-69AM	
①	②
① Number of sensor switch	② Code
	69AM: Anti-magnetic sensor switch (AC resistant welder)

Dimensions



Wiring diagram



Mounting

In powerful magnetic field, sensor switch for high-magnet shall be matched, and the anti-magnetic bracket (F-MCK40H for MCK series or F-AQK50H for AQK50 Series) must be ordered separately, the ordering code, dimensions and the mounting method are below:

Ordering code	Dimensions	Mounting
F-MCK40H (For MCK Series)		
F-AQK50H (For AQK50 Series)		

Indicator action illustration

