

Solenoid valve(3/2 way)

3V2 Series



Symbol



Product feature

1. Direct acting type and normally closed mode, flexible in direction change.
2. Normally closed and normally open types are optional.
3. Structure in coaxial blanking mode: leakage proof and large air flow.
4. No need to add oil for lubrication.
5. Affiliated manual devices are equipped to facilitate installation and debugging.
6. Several standard voltage grades are optional.
7. Can be used under vacuum condition.

Ordering code

Ordering code of solenoid valve

3V 2 08 NC A □ G



| ① Model | ② Code | ③ Port size | ④ Acting type | ⑤ Standard voltage | ⑥ Electrical entry | ⑦ Thread type |
|-----------------------------|-------------|----------------------|--|--|--------------------------------------|---------------|
| 3V: Solenoid valve(3/2 way) | 2: 2 Series | 06: 1/8" 08: 1/4" | NC: Normally closed NO: Normally opened | A: AC220V B: DC24V C: AC110V E: AC24V F: DC12V | Blank: Terminal I: Grommet [Note] | G: G Thread |

[Note] The wire length is 5m.

Ordering code of accessories

F-3V2 FA



| ① Accessories code | ② Valve type | ③ Accessories type |
|-------------------------|------------------------------|--------------------|
| F: Mounting accessories | 3V2: Solenoid valve(3/2 way) | FA: FA Bracket |

Specification

| Model | 3V206 | 3V208 |
|--------------------|--|---------------------------------|
| Fluid | Air(to be filtered by 40 μ m filter element) | |
| Acting | Direct acting | |
| Port size [Note1] | 1/8" | 1/4" |
| Valve type | 3 port 2 position | |
| Orifice size | 3.2mm ² (Cv=0.18) | 3.4mm ² (Cv=0.19) |
| Lubrication | Not required | |
| Operating pressure | Common | 0~0.8MPa(0~114psi) |
| | vacuum | -102.2kPa~0.1MPa(-1.45~14.2psi) |
| Proof pressure | 1.2MPa(175psi) | |
| Temperature | -20~70°C | |
| Material of body | Aluminum alloy | |

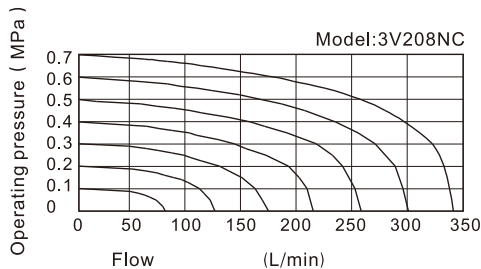
[Note1] G thread is available.

Coil specification

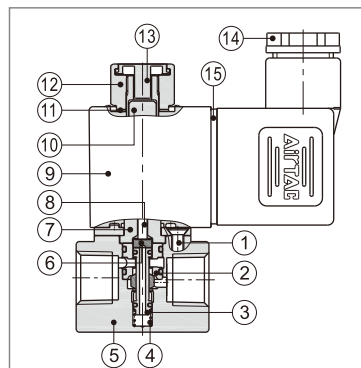
| Item | Specification |
|----------------------------|---------------------------------|
| Standard voltage | AC220V、AC110V、AC24V、DC24V、DC12V |
| Scope of voltage | AC: ± 15% DC: ± 10% |
| Power consumption | AC: 7VA DC: 7.0W |
| Protection | IP65(DIN40050) |
| Temperature classification | B Class |
| Electrical entry | Terminal, Grommet |
| Activating time | 0.05 sec and below |
| Max. frequency [Note1] | 10 cycle/sec |

[Note1] The maximum actuation frequency is in the no-load state.

Flow chart



Inner structure



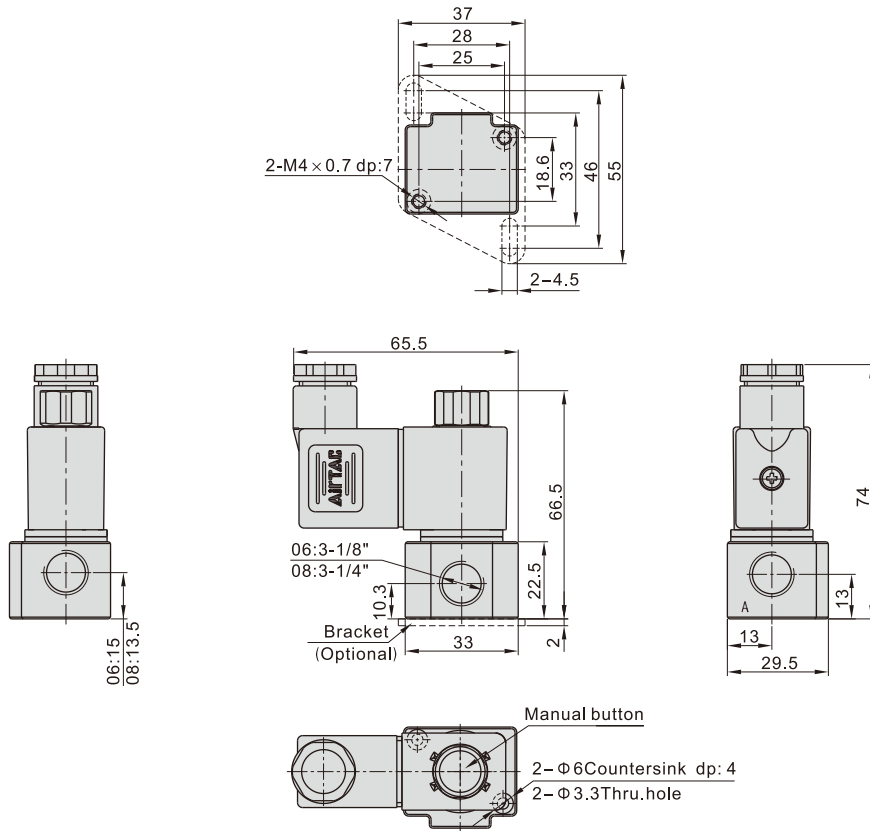
| No. | Item | No. | Item |
|-----|-------------------|-----|---------------|
| 1 | Pilot screw | 9 | Coil |
| 2 | Spacer | 10 | Armature |
| 3 | Spool | 11 | Washer |
| 4 | Spring | 12 | Coil nut |
| 5 | Body | 13 | Manual button |
| 6 | Washer | 14 | Connector |
| 7 | Electromagnet set | 15 | Gasket |
| 8 | Man drill | | |

Solenoid valve(3/2 way)

3V2 Series

Dimensions

Terminal



Grommet

