



6D Series Integrated solenoid valve (5/2, 5/3 way)

Compendium of 6D Series

Manual Lock Design

1. Manual push do not automatically lock, used for valve installation and debugging.
2. Ensure no danger, prior to activating manual override.
3. With correct size screw driver: please turn to lock gently (Torque: 0.1N.m)



Normal Position



Lock Position

Adaptor design of pilot valve

Easy to install with stable signaling, decrease risk during manual wiring

Consolidate Input

By D-SUB25PIN cable, it effectively simplifies wiring process and enhances risk-resisting function.

Multi-series and Multi-port types are optional

6D0500, 6D100, 6D200 series ;
Φ4、Φ6、Φ8、Φ10ports for options.

Series/Ports(A/B ports)	Φ4	Φ6	Φ8	Φ10
6D0500	•	•		
6D100	•	•	•	
6D200			•	•

Dual Centralized inlet ports

Centralized inlet, convenient piping, saving installation space.

Series	6D0500	6D100	6D200
Ports(P)	Φ8	Φ10	Φ12

Dual Centralized outlet ports

Centralized exhaust, convenient piping, saving installation space.

Series	6D0500	6D100	6D200
Ports(R)	Φ8	Φ10	Φ12

Manifold design

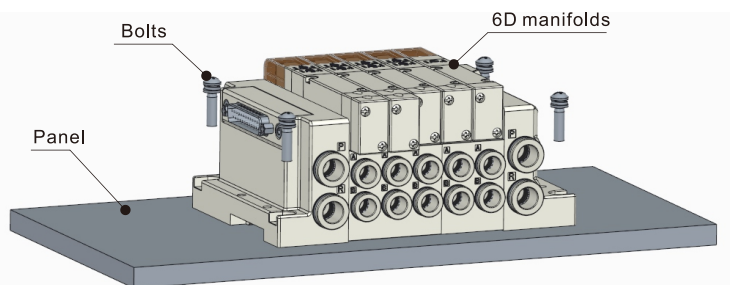
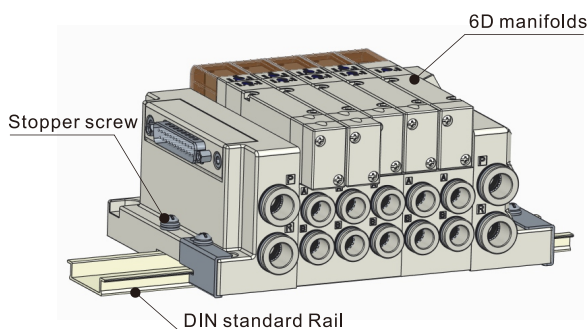
It is convenient and flexible to disassemble and replace.

DIN rail compatibility

Manifold is compatible with DIN standard rail.
6D integrated valve can be fixed at any position of rail by stopper screw.

Diverse installation

With four bolts, it can be fixed anywhere on panel.

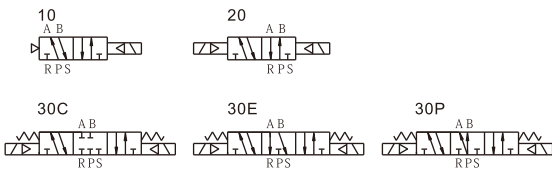


Integrated solenoid valve (5/2, 5/3 way)

6D Series



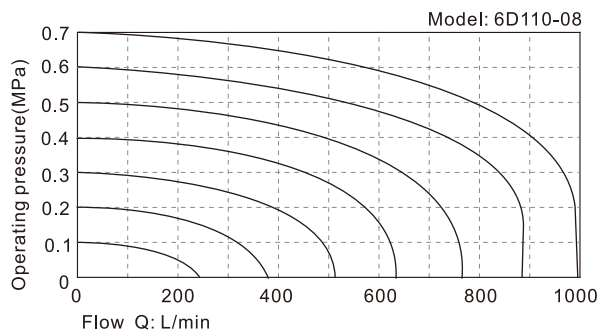
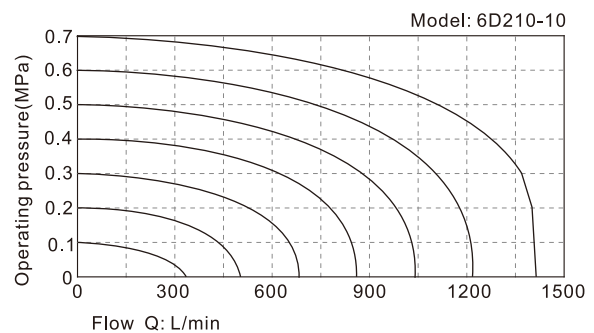
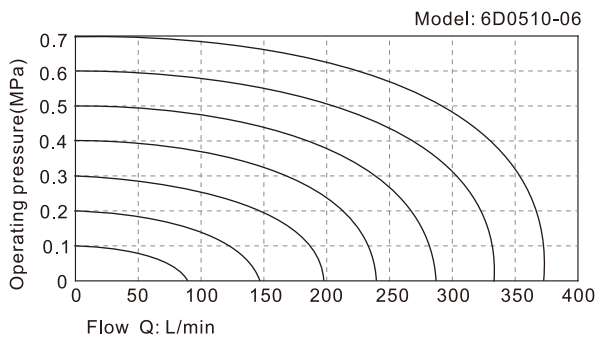
Symbol



Product feature

1. Centralized inlets, outlets and signal input(25pin D-SUB) make it highly simplify installation and reduce risk during mounting.
2. Flexible combination for various applications.
3. Convenient installation, can be fixed on panel or DIN rail without other accessory.
4. 2-positions, 3-positions valves can be installed on one manifold without accessory.
5. Affiliated manual devices are equipped to facilitate installation and debugging.
6. Low starting voltage and long service life.

Flow chart



The data in flow rate chart are obtained from AirTAC lab.

Specification

Model	6D0500	6D100	6D200
Fluid	Air(to be filtered by 40μm filter element)		
Acting	Pilot		
Operating pressure	0.15~0.8MPa(21~114psi)		
Proof pressure	1.2MPa(175psi)		
Temperature	-20~70°C		
Type of inlet and exhaust	Centralized inlet and exhaust		
Numbers of station	Single solenoid valves	3-21 stations	
	Dual solenoid valves	3-21 stations [Note1]	
Port size	A, B ports	Φ4/Φ6 tube fitting	Φ4/Φ6/Φ8 tube fitting
	P, R ports	Φ8 tube fitting	Φ10 tube fitting
Electrical entry	Terminal , 25pinD-SUB		

Note1: Numbers of station is 3-18, maximum 6 of double solenoid valves can be applied.
Station 19-21, maximum 3 of double solenoid valves can be applied.

Coil specification

Item	Specification	
Standard voltage	DC24V	DC12V
Scope of voltage	DC : ±10%	
Power of consumption	0.9W	
Protection	Dustproof	
Temperature classification	F Class	
Electrical entry	Terminal	
Activating time	0.05 sec and below	

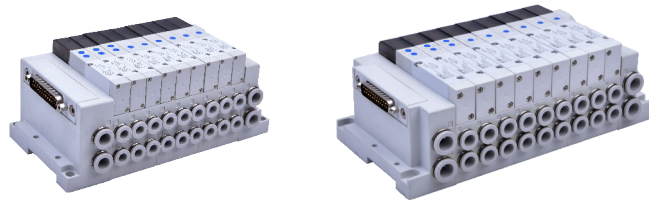
Integrated solenoid valve (5/2, 5/3 way)

6D Series

Manifold ports Order Code (With Valves)

6D1H 5F-J06 B S2 D1 C1 E1 P1

① ② ③ ④ ⑤ ⑥ ⑦ ⑧ ⑨



① Model	6D05H: 6D0500 Series integrated Solenoid valve	6D1H: 6D100 Series integrated Solenoid valve	6D2H: 6D200 Series integrated Solenoid valve
② Number of stations	3F: 3 stations	4F: 4 stations 21F: 21stations	
③ Port size(A/B Port)	J04: Φ4 tube fitting J06: Φ6 tube fitting	J04: Φ4 tube fitting J06: Φ6 tube fitting J08: Φ8 tube fitting	J08: Φ8 tube fitting J10: Φ10 tube fitting
④ Standard voltage	B:DC24V F:DC12V		
⑤ Single solenoid 5/2 way	Blank: No	S1: 1 piece S2: 2 pieces S21: 21 pieces	
⑥ Double solenoid 5/2 way	Blank: No	D1: 1 piece D2: 2 pieces D6: 6 pieces	
⑦ Double solenoid 5/3 way closed center	Blank: No	C1: 1 piece C2: 2 pieces C6: 6 pieces	
⑧ Double solenoid 5/3 way exhaust center	Blank: No	E1: 1 piece E2: 2 pieces E6: 6 pieces	
⑨ Double solenoid 5/3 way pressure center	Blank: No	P1: 1 piece P2: 2 pieces P6: 6 pieces	

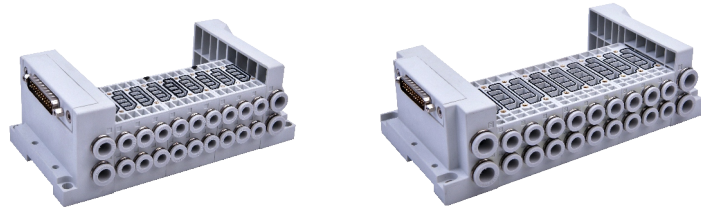
Order code instruction:

1. Fill in spec, number of stations, port size, voltage in order code accordingly.
2. Valve installation sequence : start from D-SUB side.
3. Valve installation sequence : (1) Double solenoid 5/3 way(C→E→P). (2) Double solenoid 5/3 way. (3)Single solenoid.
4. For empty position, please install provisional block.
5. 0500 series in/outlet ports (P/R) is Ø8, 100 series in/outlet ports (P/R) is Ø10, 200 series in/outlet ports (P/R) is Ø12
6. Less than 8 stations(inclusive):come with 1 plug type silencer and 2 plugs; More than 8 stations: come with 2 plug type silencers and 1 plug.
7. Total numbers of valves must be ≤21
8. For station 3-18 , total numbers of ⑥+⑦+⑧+⑨ must be ≤6 ; station 19-21, total numbers of ⑥+⑦+⑧+⑨ must be ≤3.

Manifold ports Order Code (Without Valves)

6D1H 5F-J06

① ② ③



① Model	6D05H: 6D0500 Series manifold	6D1H: 6D100 Series manifold	6D2H: 6D200 Series manifold
② Number of stations	3F: 3 stations 4F: 4 stations 21F: 21stations		
③ Port size(A/B Port)	J04: Φ4 tube fitting J06: Φ6 tube fitting	J04: Φ4 tube fitting J06: Φ6 tube fitting J08: Φ8 tube fitting	J08: Φ8 tube fitting J10: Φ10 tube fitting

Note :

1. For numbers of station 3-18, only first 6 staitons can be installed with double-solenoid valves (2 or 3 positions).
When 19-21 stations, only first 3 staitons can be installed with double solenoid valves (2 or 3 positions)
2. Valve installation sequence: start from D-SUB side.
- 3.0500 series in/outlet ports (P/R) is Ø8, 100 series in/outlet ports (P/R) is Ø10, 200 series in/outlet ports (P/R) is Ø12
- 4.Less than 8 stations(inclusive): come with 1 plug type silencer and 2 plugs; More than 8 stations: come with 2 plug type silencers and 1 plug.

Integrated solenoid valve (5/2, 5/3 way)

6D Series

Solenoid Valve Order Code

6D 1 20 B

① ② ③ ④



① Model	6D: 5-port, 2/3-position solenoid valve		
② Code	05: 0500 Series	1: 100 Series	2: 200 Series
③ Valve type	10 : Single solenoid(5/2 Way) 20 : Double solenoid(5/2 Way) 30C : Double solenoid(5/3 way closed center) 30E : Double solenoid(5/3 way exhaust center) 30P : Double solenoid(5/3 way pressure center)		
④ Standard Voltage	B: DC24V F: DC12V		

Provisional Block Order Code

P - 6D100 R2

① ② ③



① Accessories	P : Accessories		
② Model	6D0500M: 0500 Series	6D100M: 100 Series	6D200M: 200 Series
③ Provisional block code	R2: 6D series Provisional block		

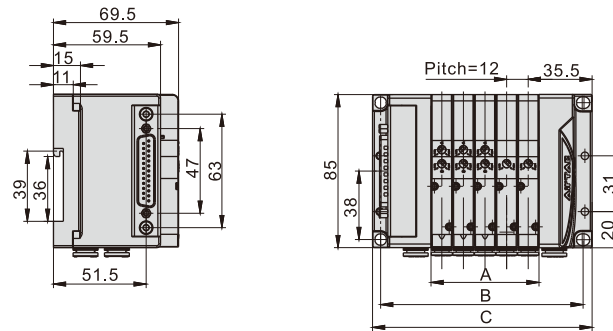
Note: Orders come with screw bolts.

Integrated solenoid valve (5/2, 5/3 way)

6D Series

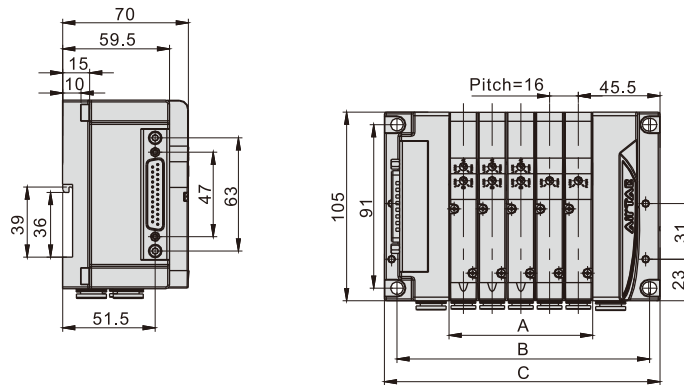
Dimensions

6D0500



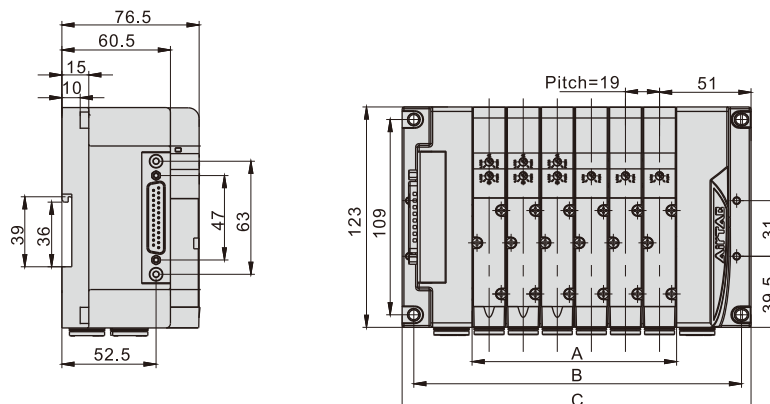
Item\Stations	3F	4F	5F	6F	7F	8F	9F	10F	11F	12F	13F	14F	15F	16F	17F	18F	19F	20F	21F
A	36	48	60	72	84	96	108	120	132	144	156	168	180	192	204	216	228	240	252
B	88.5	100.5	112.5	124.5	136.5	148.5	160.5	172.5	184.5	196.5	208.5	220.5	232.5	244.5	256.5	268.5	280.5	292.5	304.5
C	98	110	122	134	146	158	170	182	194	206	218	230	242	254	266	278	290	302	314

6D100



Item\Stations	3F	4F	5F	6F	7F	8F	9F	10F	11F	12F	13F	14F	15F	16F	17F	18F	19F	20F	21F
A	48	64	80	96	112	128	144	160	176	192	208	224	240	256	272	288	304	320	336
B	108.5	124.5	140.5	156.5	172.5	188.5	204.5	220.5	236.5	252.5	268.5	284.5	300.5	316.5	332.5	348.5	364.5	380.5	396.5
C	121.5	137.5	153.5	169.5	185.5	201.5	217.5	233.5	249.5	265.5	281.5	297.5	313.5	329.5	345.5	361.5	377.5	393.5	409.5

6D200



Item\Stations	3F	4F	5F	6F	7F	8F	9F	10F	11F	12F	13F	14F	15F	16F	17F	18F	19F	20F	21F
A	57	76	95	114	133	152	171	190	209	228	247	266	285	304	323	342	361	380	399
B	125.5	144.5	163.5	182.5	201.5	220.5	239.5	258.5	277.5	296.5	315.5	334.5	353.5	372.5	391.5	410.5	429.5	448.5	467.5
C	137.5	156.5	175.5	194.5	213.5	232.5	251.5	270.5	289.5	308.5	327.5	346.5	365.5	384.5	403.5	422.5	441.5	460.5	479.5

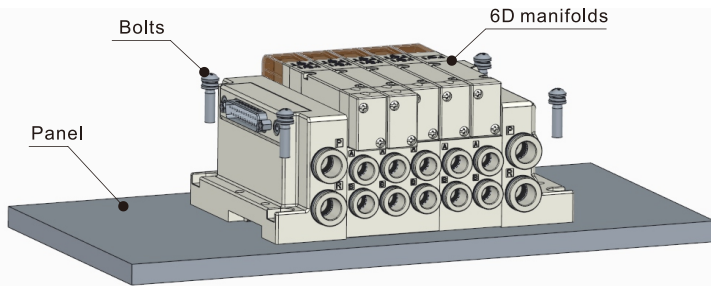
Integrated solenoid valve (5/2, 5/3 way)

6D Series

Installation and application

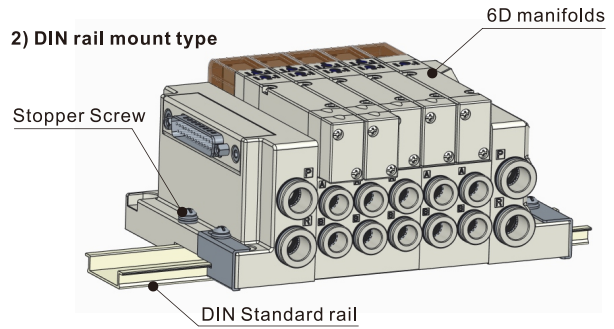
1. Two types of installation are available, choose appropriate type based on working environment.

1) Panel mount type



Four counterbore holes for screw bolts, suitable for panel installation.

2) DIN rail mount type



Compatible with standard DIN rail.

6D manifolds can be fixed at any position of rail by stop screw.

2. P/R ports connection: Please select the appropriate tube diameter according to the following specification table.

Series	Port (P)	Port (R)
6D0500	Φ8	Φ8
6D100	Φ10	Φ10
6D200	Φ12	Φ12

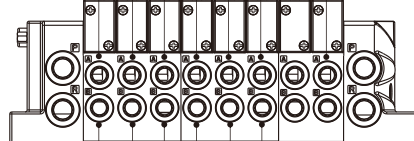
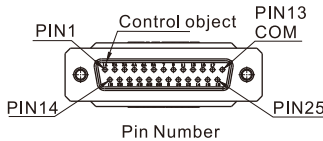
3. A/B ports connection: Please select the appropriate tube diameter according to the following specification table.

Series\Ports (A/B ports)	Φ4	Φ6	Φ8	Φ10
6D0500	•	•		
6D100	•	•	•	
6D200			•	•

4. Pin Assignment :

Explanation of 3-18 stations connection pin.

Definition of stations : 1A 2A 3A 4A 5A 6A.....21A



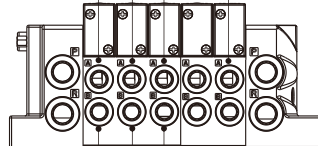
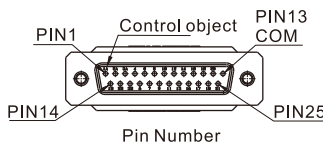
Definition of stations : 1B 2B 3B 4B 5B 6B Can be used for double solenoid valve

Pin NO.	Polarity		Control object	Pin NO.	Polarity		Control object
	-COM	+COM			-COM	+COM	
1	(+)	(-)	1A	14	(+)	(-)	1B
2	(+)	(-)	2A	15	(+)	(-)	2B
3	(+)	(-)	3A	16	(+)	(-)	3B
4	(+)	(-)	4A	17	(+)	(-)	4B
5	(+)	(-)	5A	18	(+)	(-)	5B
6	(+)	(-)	6A	19	(+)	(-)	6B
7	(+)	(-)	7A	20	(+)	(-)	8A
8	(+)	(-)	9A	21	(+)	(-)	10A
9	(+)	(-)	11A	22	(+)	(-)	12A
10	(+)	(-)	13A	23	(+)	(-)	14A
11	(+)	(-)	15A	24	(+)	(-)	16A
12	(+)	(-)	17A	25	(+)	(-)	18A
13	(-)	(+)	COM				

Note: Gauge number of cable connecting to D-Sub pin No.13(COM) must be ≤22AWG

Explanation of 19-21 stations connection pin.

Definition of stations : 1A 2A 3A.....21A

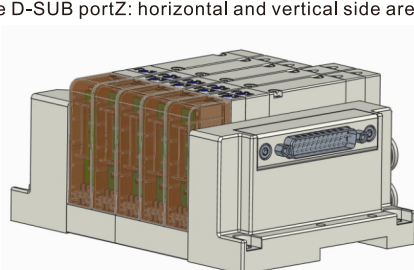


Definition of stations : 1B 2B 3B Can be used for double solenoid valve

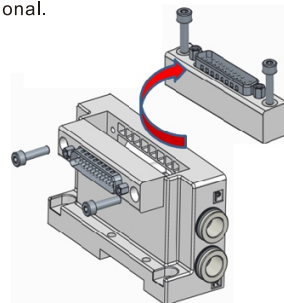
Pin NO.	Polarity		Control object	Pin NO.	Polarity		Control object
	-COM	+COM			-COM	+COM	
1	(+)	(-)	1A	14	(+)	(-)	1B
2	(+)	(-)	2A	15	(+)	(-)	2B
3	(+)	(-)	3A	16	(+)	(-)	3B
4	(+)	(-)	4A	17	(+)	(-)	5A
5	(+)	(-)	6A	18	(+)	(-)	7A
6	(+)	(-)	8A	19	(+)	(-)	9A
7	(+)	(-)	10A	20	(+)	(-)	11A
8	(+)	(-)	12A	21	(+)	(-)	13A
9	(+)	(-)	14A	22	(+)	(-)	15A
10	(+)	(-)	16A	23	(+)	(-)	17A
11	(+)	(-)	18A	24	(+)	(-)	19A
12	(+)	(-)	20A	25	(+)	(-)	21A
13	(-)	(+)	COM				

Note: Gauge number of cable connecting to D-Sub pin No.13(COM) must be ≤22AWG

5. Flip-able D-SUB portZ: horizontal and vertical side are optional.



Horizontal plug-in



Vertical plug-in